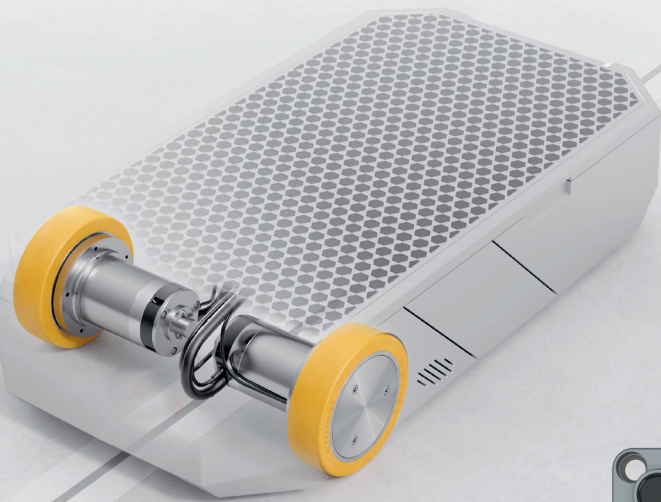


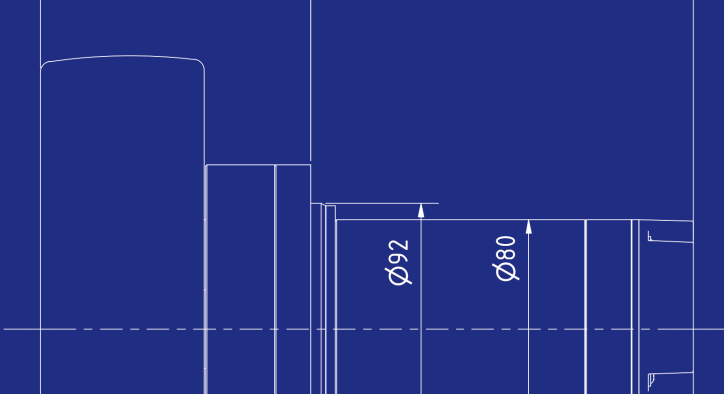
Plug-and-play compatible to **SICK**



SICK
Sensor Intelligence.



compact.
complete.
b-drives
redundant
encoder system



The b-drives encoder:

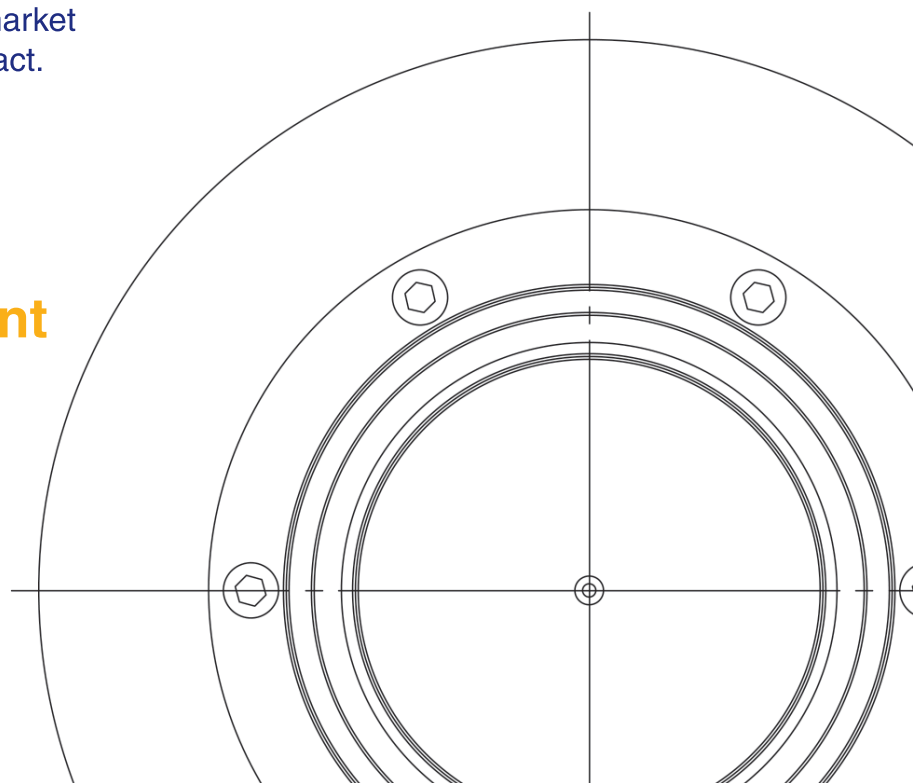
Plug-and-play compatible to SICK

With the brand new **b-drives** redundant **encoder system** and our b-drives double axis controller we supply you with a highly compact and even more cost efficient Plug-and-Play solution to integrate the SICK into your AGV.

The encoder is integrated into the motor and it includes 2 redundant feedback systems. It is significantly more cost efficient than common safety encoder systems on the market while also being extraordinary compact.

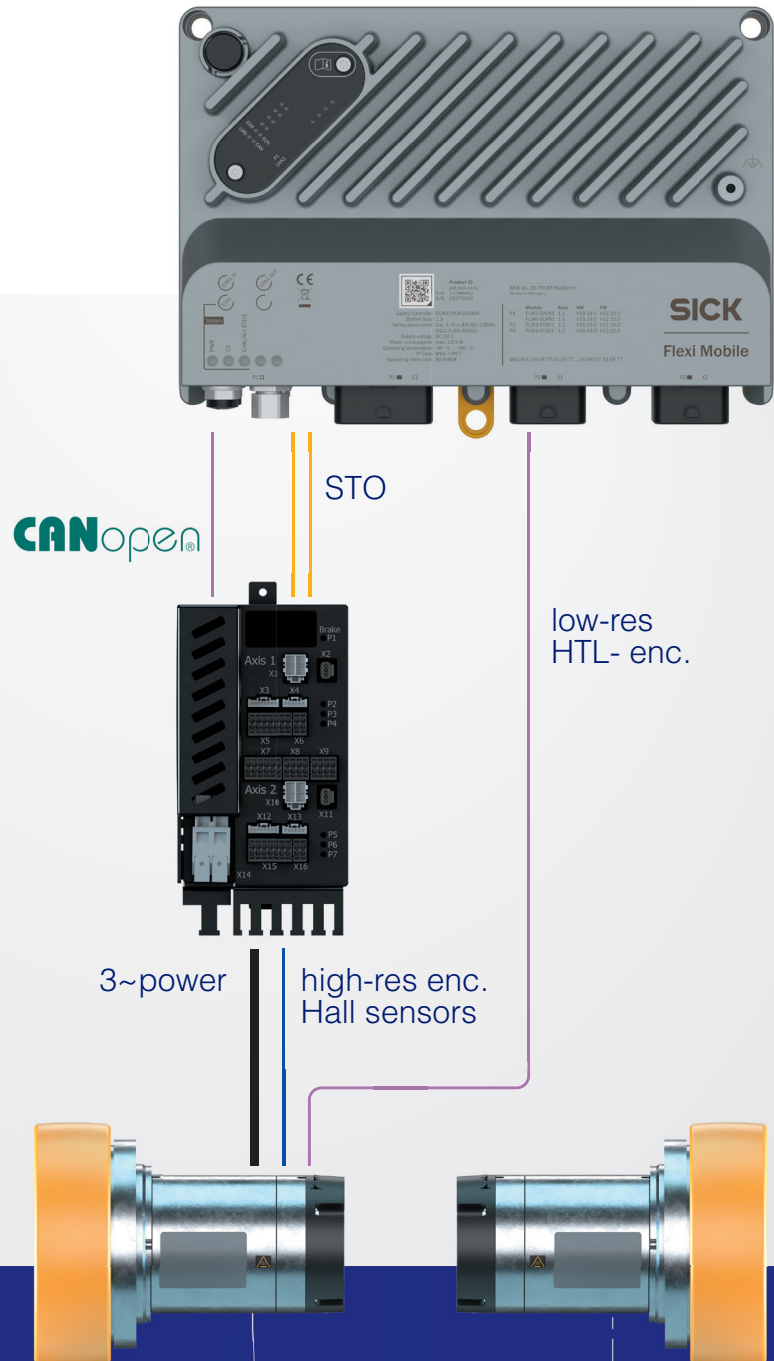
In combination with our **b-drives double axis controller** our system is plug-and-play compatible to the brand new SICK safety controller. We offer you an extremely compact safety system reaching **Performance Level d / SIL3** and, amongst others, the safety functions **Safe Limited Speed (SLS)** and **Safe Torque Off (STO)** at minimum costs.

The b-drives redundant encoder system – so your AGV always rides on the safe side!



Your benefits:

- Plug-and-Play compatible to SICK
- extremely compact
- highly cost efficient
- Performance Level d
- SIL 3
- SLS / STO



compact.
complete.
b-drives
redundant
encoder system



Feel free to contact us!

Axel Schwab

Sales

+49 172 63 89 150

schwab@b-drives.com

Robert Nohr

Sales

+49 172 769 25 71

nohr@b-drives.com

Imprint

b-drives GmbH

Gutenbergstraße 17

21465 Reinbek

www.b-drives.com

info@b-drives.com

Tel.: +49 40 / 53 80 92 - 430

Fax: +49 40 / 53 80 92 - 84

Managing Director

Dipl.-Ing. Reinhard Breuell,

Ing. Dirk Kahl

Amtsgericht Lübeck HRB 19830

USt. -IdNr.: DE 322 841 014

Steuer-Nr. 50/706/01135