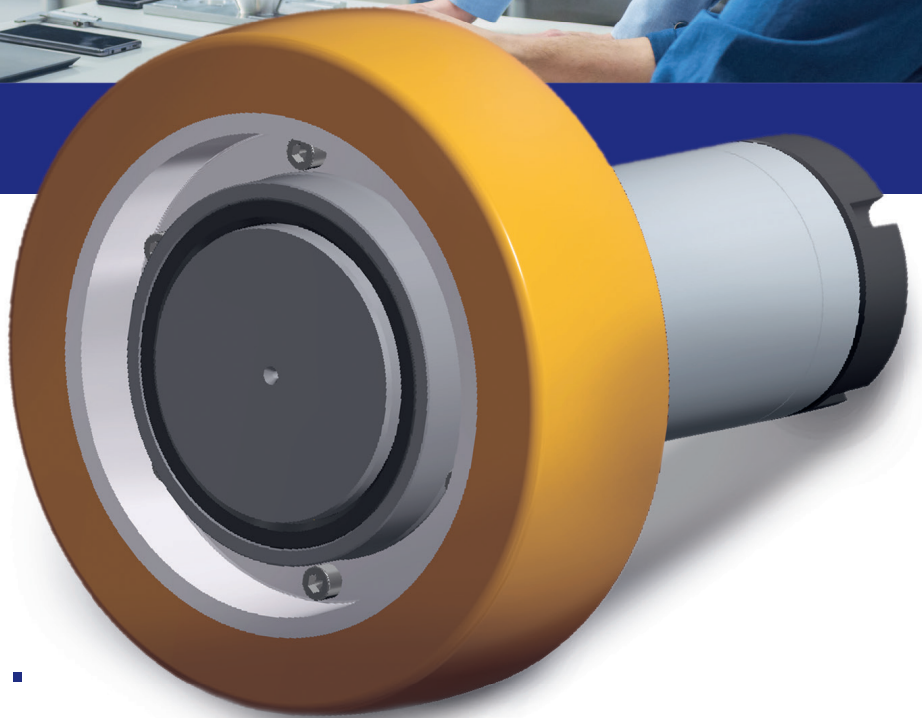
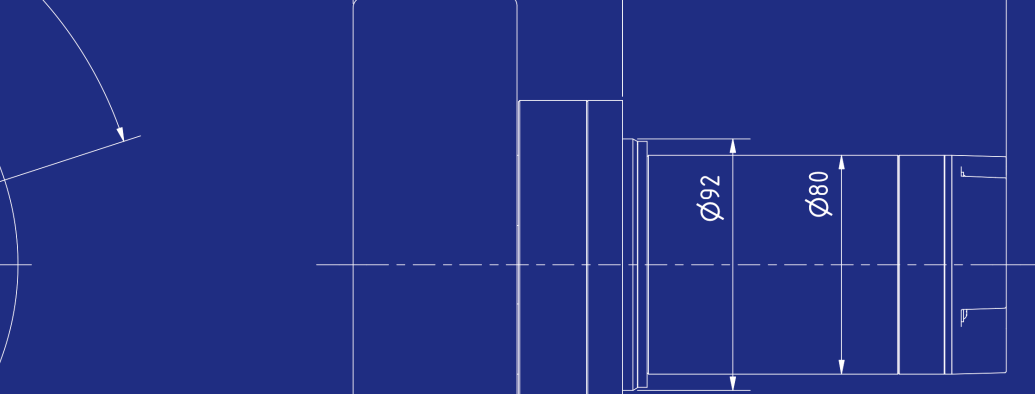


We have upgraded our eWheel family to **800 kg of pay load per wheel**, a changeable wheel and **gear ratios up to 50:1**

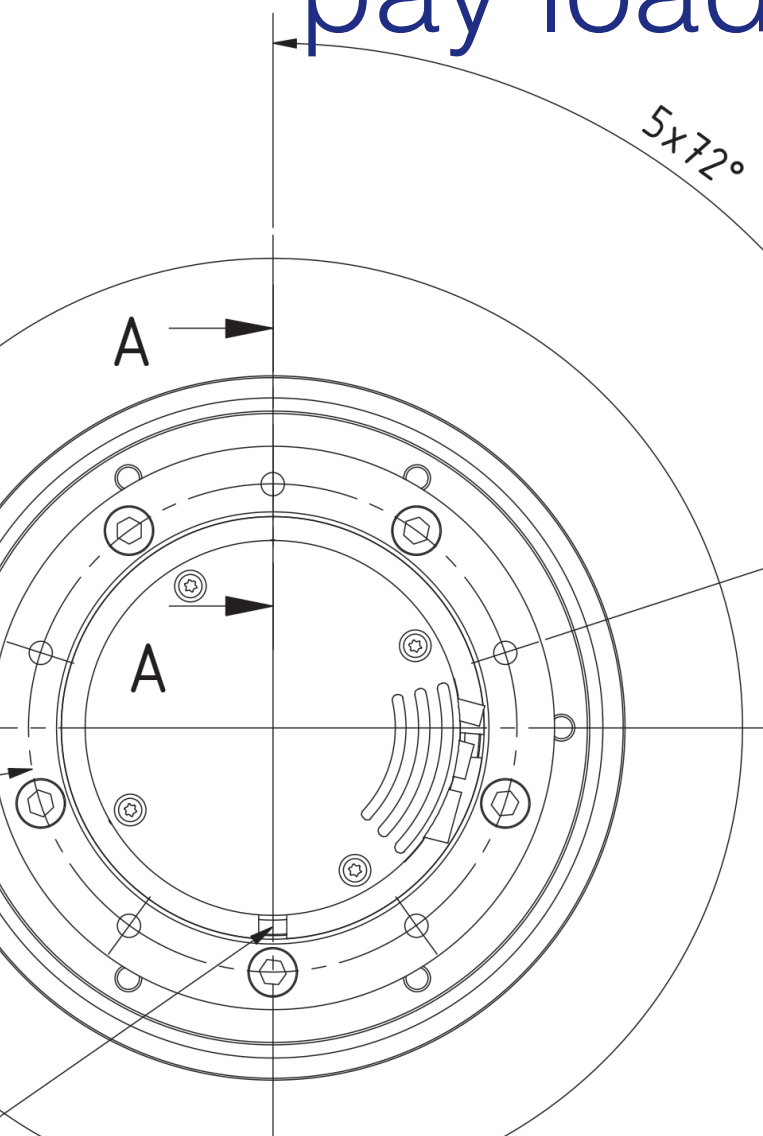


compact.
complete.
eWheel.



With the latest eWheel upgrade we are extending our range of modular, highly compact wheel drives up to a **pay load of 800 kg** per wheel. The eWheel can be combined with a large variety of high performance and very compact BLDC motors and will boost your AGV with **up to 200 Nm** of maximum torque.

Your compact wheel drive for up to 800 kg pay load



With wheel diameters up to 300mm and gear ratios **of 30:1 to 50:1** the **eWheel** will accelerate your AGV to a top speed **of 2,1 m/s**. The rim can easily be changed from outside the vehicle just like on a car. No need to dismount the AGV to change the wheel.

An integrated brake will safely stop your vehicle anytime and we can offer multiple options to add even more functional safety to your system.

Every configuration of the **eWheel** always includes a compact BLDC motor with an integrated redundant feedback system, a parking brake with emergency stop function, a compact high performance gearbox and the wheel itself. **All the elements you need to make you AGV drive safely.**

To safely control your **eWheel** we can offer our brand new double axis controller as an option.

The double axis controller gets you **up to 60A peak current, functional safety up to SIL3/ PL e (STO)** and can be offered with **CANopen, ProfiNet or EtherCAT.**

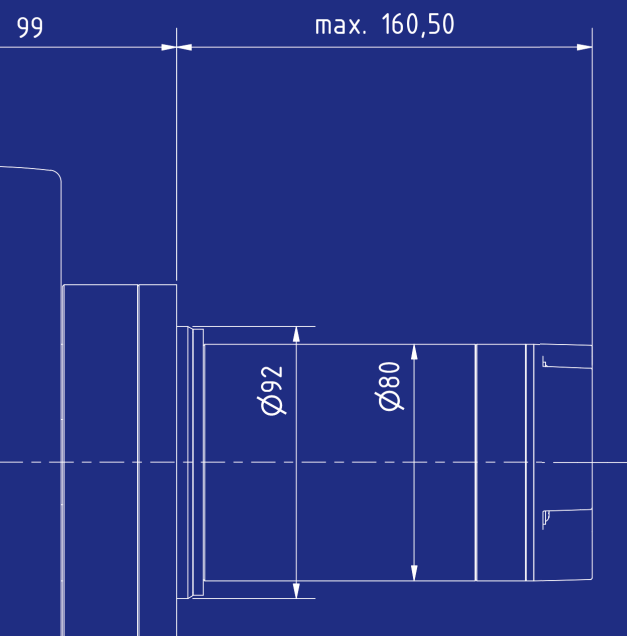
		L24			L48			X48		
Gear reduction		30	40	50	30	40	50	30	40	50
Nominal Power [W]		503			503			754		
Nominal current [A]		20,3			10,2			20,4		
Torque constant [Nm/Aeff]		0,059			0,118			0,088		
Maximum current [Aeff]		61			30,6			61,1		
Nominal torque [Nm]		34	46	57	34	46	57	51	68	86
Maximum torque [Nm]		103	137	171	103	137	171	154	200	200
Parking brake (3 Nm) torque [Nm]		90	120	150	90	120	150	90	120	150
Maximum speed [m/s] with wheel-Ø [mm]	180	1,3	0,9	0,8	1,3	0,9	0,8	1,3	0,9	0,8
	200	1,4	1	0,8	1,4	1	0,8	1,4	1	0,8
	250	1,7	1,3	1	1,7	1,3	1	1,7	1,3	1
	300	2,1	1,6	1,3	2,1	1,6	1,3	2,1	1,6	1,3

If you should not find the right solution for your AGV in our charts please dont hesitate to get in touch with us.

With its modular built we can easily generate further variations of the eWheel while staying close to our highly effecient and economical standard.

We are looking forward to receiving your inquiry.

compact.
complete.
eWheel.





Feel free to contact us!

Axel Schwab

Sales

+49 172 63 89 150

schwab@b-drives.com

Robert Nohr

Sales

+49 172 769 25 71

nohr@b-drives.com

Imprint

b-drives GmbH

Gutenbergstraße 17

21465 Reinbek

www.b-drives.com

info@b-drives.com

Tel.: +49 40 / 53 80 92 - 430

Fax: +49 40 / 53 80 92 - 84

Managing Director

Dipl.-Ing. Reinhard Breuell,

Ing. Dirk Kahl

Amtsgericht Lübeck HRB 19830

USt. -IdNr.: DE 322 841 014

Steuer-Nr. 50/706/01135